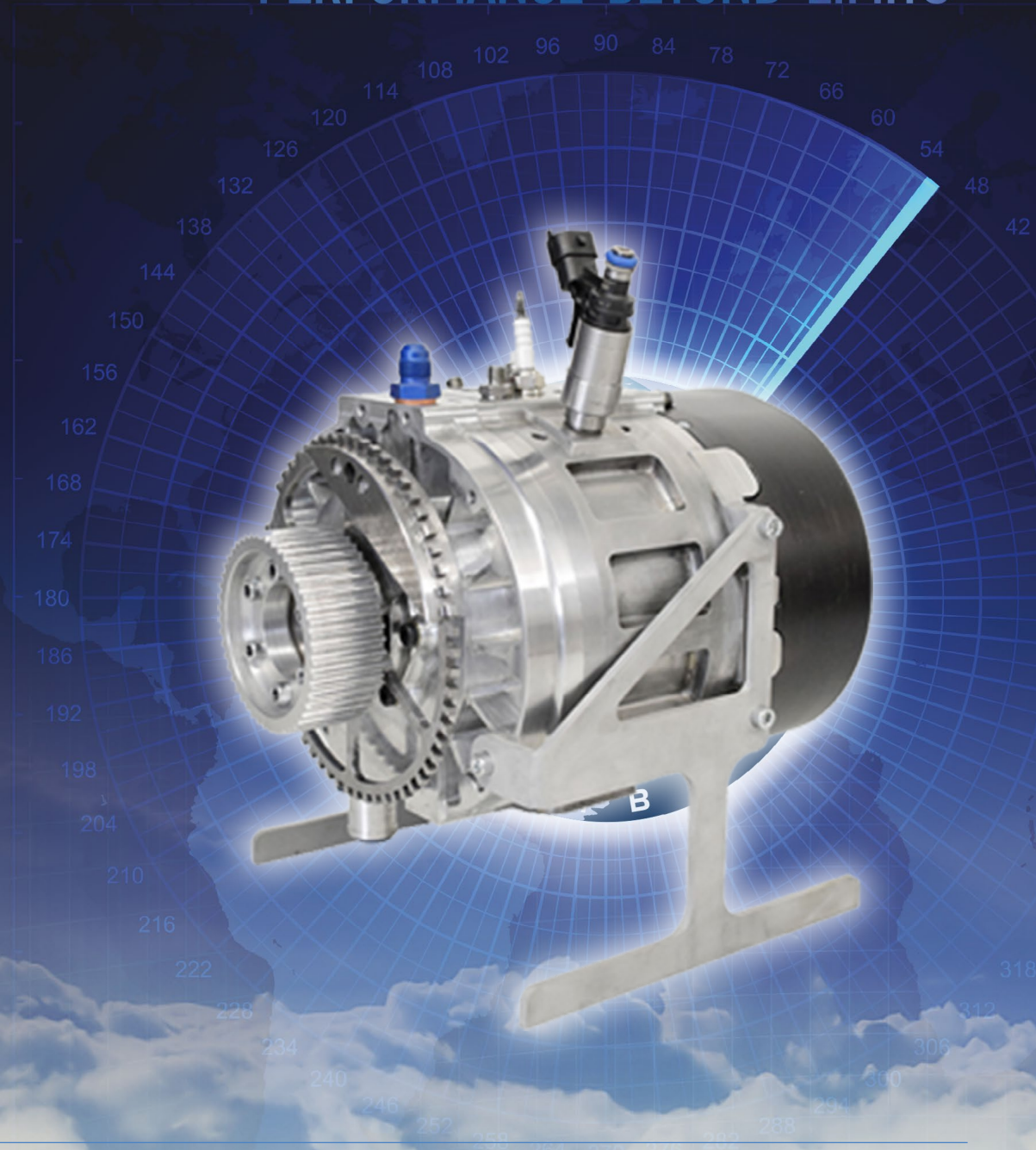




PERFORMANCE BEYOND LIMITS

ENGINE DATA 3W-180-SRE-HYBRID





ENGINE DATA 3W-180-SRE-HYBRID



SPECIFICATIONS

Capacity	180 cc
Weight	6.80 kg / 14.99 lbs
Weight with Generator	9.50 kg / 20.94 lbs
Power	20 KW / 27.5 HP @ 6000 rpm
High Power Version	28KW / 38.5HP @ 7500 rpm
Hybrid-Boostpower	add. 15 KW
Max Torque	32 Nm @ 6000 rpm / 36 Nm @ 7500 rpm
Power-to-Weight Ratio	5.66 HP/kg / 2.57 HP/lbs
Fuel Consumption	340 g/KW

ENGINE TYPE / SETUP

Engine	wankel rotary UAV engine
Fuel	Gasoline/Avgas Kerosin (only with HPI injection)
Injection	standard manifold injection (Option) HPI (high pressure) injection optional
Cooling	Water cooled housing Oil Rotor cooling (active cooling)
Starter	Startergenerator

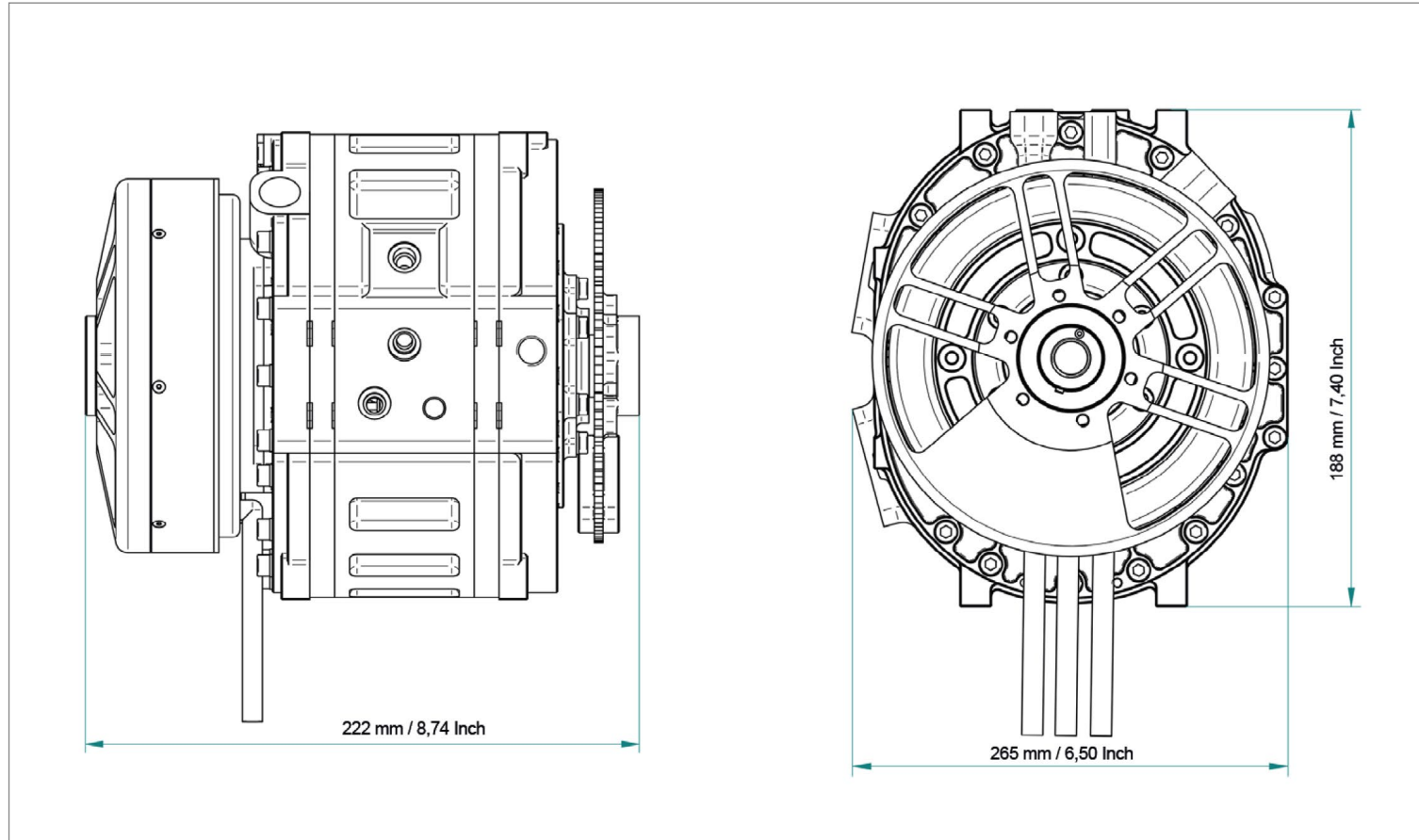
ENGINE PARAMETERS

Rational frequency	Torque	Performance	Consumption
3000 rpm	16,8 Nm	5,28 KW	385 g/KWh
3500 rpm	18,6 Nm	6,81 KW	367 g/KWh
4000 rpm	20,0 Nm	8,37 KW	376 g/KWh
4500 rpm	22,4 Nm	10,55 KW	377 g/KWh
5000 rpm	25,8 Nm	13,50 KW	379 g/KWh
5500 rpm	31,5 Nm	18,13 KW	349 g/KWh
6000 rpm	32,0 Nm	20,10 KW	345 g/KWh



ENGINE DATA 3W-180-SRE-HYBRID

ENGINE GRAPH





CONTACT

3W International GmbH
Hollerstraße 12
61350 Bad Homburg
Germany

Phone: +49 (6172) 80 89 34-0

www.3w-international.com
info@3w-international.com

PERFORMANCE BEYOND LIMITS

